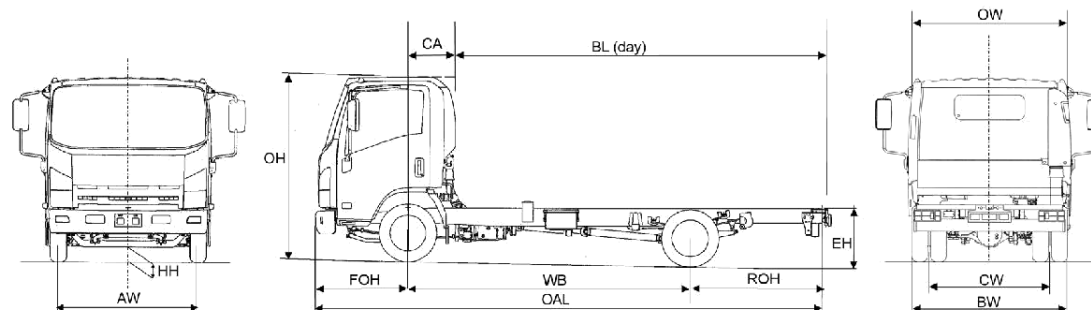
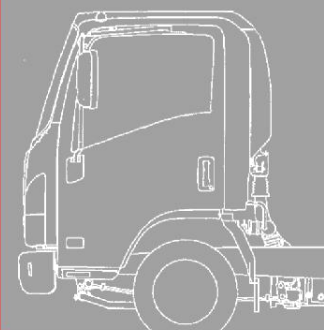


ISUZU N65.150

6.5T GVW

(Manual transmission) 4x2 rigid chassis/cab

EURO VI



Standard vehicle plated weights (kg)

GVW	6500
GTW	10000

Axle design weights (kg)

Front	3100
Rear	4600

Weights (kg)

Cab type		day	day
Wheelbase	WB	3395	3845
Vehicle Mass Unladen	Front	1630	1650
	Rear	845	860
Total		2475	2510
GVW		6500	6500
Max. Permissible Trailer Weight		3500	3500
Body & Payload Allowance		4025	3990

Dimensions (mm)

Overall Length	OAL	6100	6750
Overhang - Front	FOH	1110	1110
Overhang - Rear	ROH	1595	1795
Cab Gap	CB	157	157
C/L Front Axle to Rear of Cab	CA	573	573
Recommended Body Length	BL	4267	4876
Chassis Frame Width		750	750
Recommended Body Width		2286	2286
Recommended Maximum Body Width		2387*	2387*
Cab Width	OW	2040	2040
Overall Height (Unladen)	OH	2250	2250
Chassis Height (Unladen)	EH	765	760
Minimum Road Clearance	HH	190	190
Track - Front	AW	1680	1680
Track - Rear	CW	1525	1525
Rear Axle Width	BW	1985	1985

* Wide mirror arms apply at extra cost

1. Unladen weights excludes driver, fuel, Ad Blue. Includes spare wheel + carrier (Tolerance \pm 3%).
2. Body lengths are given as a guide only. Bodybuilders are responsible for ensuring all legal requirements are met.
3. Maximum body lengths are calculated to remain within the maximum permitted overhang of 60% of the wheelbase. Cab gaps may vary.
4. Isuzu Ireland shall have no liability whatsoever should the information supplied have incorrect data, descriptions or illustrations.

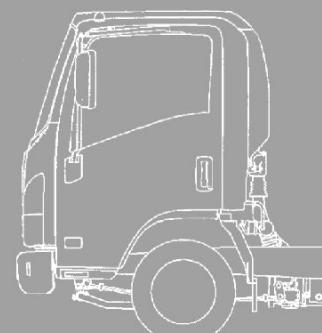
ISUZU

ISUZU N65.150

6.5T GVW

(Manual transmission) 4x2 rigid chassis/cab

EURO VI



Mechanical Specification (standard equipment)

Engine 4JJ1TC

Isuzu turbo intercooled 4 cylinder diesel DOHC (Euro VI)

Bore: 95.4mm

Stroke: 104.9mm

Capacity: 2999cc

Max Power: 110kW

(150 PS) at 2800rpm

Max Torque: 375Nm

between 1600-2800rpm

Injection Type: Common rail

Euro VI Compliance:

EGR (Exhaust Gas

Recirculation) with DPD

(Diesel Particulate Diffuser)

SCR Adblue and OBD

Fuel Tank

Capacity: 92 litres

Ad Blue: 16 litres

Transmission

6-speed manual synchronesh MY6S overdrive

Ratios: 1st 5.979

2nd 3.434

3rd 1.862

4th 1.297

5th 1.000

6th 0.759

reverse 5.701

Rear Axle Ratio: 4.556:1

Tyres: 215/75 17.15 radial

Wheels: 6.00J x 17.5,

6-stud

Cab Exterior

Aerodynamic Isuzu

Hexapod design white all-

steel cab with roof outline markers

Manual tilt to 45 deg.

Chrome radiator grille

Laminated windshield

Plastic resin non-slip entry steps

90 deg. opening doors

Zinc galvanised frame

structure

Steel reinforced composite

front bumper with fog and

daytime running lamps

2 halogen headlamps with

indicators

Front mudguards with

spray suppression

Keyless door entry and

immobiliser

Frame

Parallel ladder type channel section straight side rails, riveted upper flange

Cooling

Radiator: Tube and fin type

with fan and viscous clutch

Frame mounted fuel cooler

Clutch

300mm diaphragm type

with hydraulic actuation

Cab Interior

Flame-resistant interior

trim

Vinyl floor matting

Pillar mounted entrance

grab handles both sides

SRS airbags driver and

passenger

Seats (all cloth)

Driver's fully adjustable

suspension seat with head

restraint

Dual passenger seat,

folding back centre with

tray

Driver and outer passenger

retractable diagonal seat

belts, with pre-tensioner

Centre seat lap belt

Vision

Large foldable mirrors

Interior rear view mirror on

collapsible mounting

Driver and passenger sun

visors

Deep cut side windows to

reduce blind spots

Electric windows with

driver control and lock

Heating & Ventilation

4-speed blower

Multiple cab vents

Axles

Front: Reverse Elliott

I-Beam

Rear: Banjo fully floating

Suspension

Front: Semi-elliptical alloy

steel leaf springs with

hydraulic shock absorbers

and anti-roll bar

Rear: Semi-elliptical alloy steel leaf springs with hydraulic shock absorbers and anti roll bar

Steering

Recirculating ball type with full integral hydraulic power assistance

Tilt and telescopic steering

column

Brakes

System: ABS power assisted divided

hydraulic, Vacuum Servo

with electronic brake

distribution and anti-slip

regulation

Electronic vehicle stability

control

Front: 293mm ventilated

discs with asbestos-free

pads

Rear: 293mm ventilated

discs with asbestos-free

pads

Park: Mechanical drum

brake rear of transmission

Instruments

Speedometer with

odometer & trip

Rev counter

Fuel gauge

Engine coolant

temperature

Multi information display

provides information on

servicing, emissions and

fuel economy

Digital tachograph

Switches & Electrical

Steering column mounted

combination switch for

indicators, headlamps (high

beam), front and rear fog

lights

Wiper and washer (2-speed

and intermittent)

Steering wheel horn

Engine idle control

Hazard lights

Headlamp levelling

Interior light

Key operation for quick

cold start, start and stop

Engine quick-warm-up

Cigarette lighter

Central locking

Reverse warning

DPD engage

EVSC off

ASR off

Exhaust brake

Heater stage

Electronic vehicle speed

limiter set at 56mph

(90kph)

Warning Indicator Lamps

Battery charge

Oil pressure

Low fuel

Glow plug operation

High beam and indicators

Parking brake on

Fuel/water separator

Check engine

DPD operation

Engine over heat

EVSC

ABS

SRS air bag

Exhaust brake operation

Front and rear fog

SVS

Seat belt

Brake system

Brake vacuum loss

Tool Kit

Jack, with a small

selection of hand tools

Radio

DAB Radio/CD Player

package

Storage Space

Compartment box

Centre console tray

Door pockets

Centre facia pocket

Overhead roof shelves

Storage bin (behind seats)

Card holder

Ancillaries

Starter: Reduction type 24V

– 4.0kW

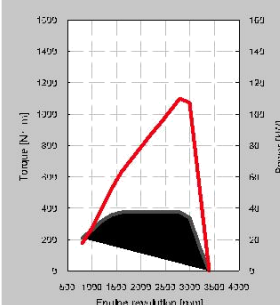
Alternator: 24 V – 50 Amp

Quick Start: 4 glow plugs

on start relay

Battery: 2 x 12 V - 75 AH

(maintenance free)



The following optional items are available:

- Isuzu Branded Mats
- Aerodynamic Body Kits
- Satellite Navigation
- Reversing Aids
- PTO Switch
- Telematics

For further information please contact your local dealer, ring us directly on

(01) 4194500

or visit our website

www.isuzu-ireland.com

Isuzu Ireland,
Naas Road
Dublin 12

ISUZU

