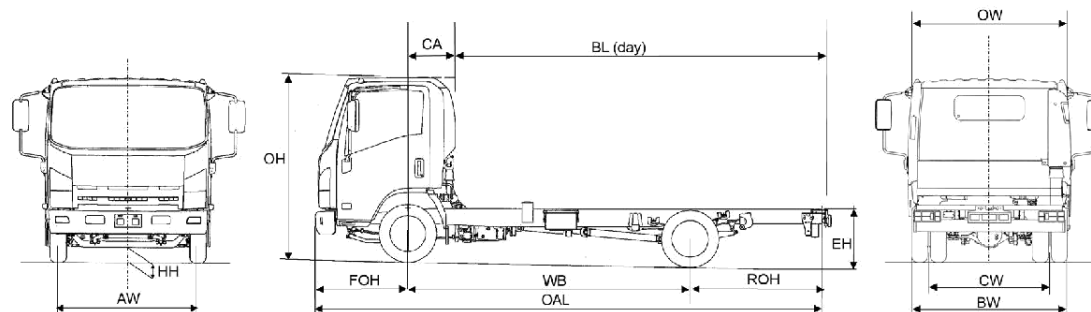
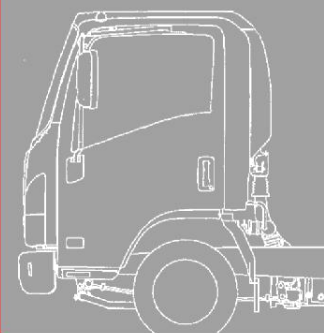


# ISUZU N75.150 (E)

## 7.5T GVW

(Easyshift transmission) 4x2 rigid

EURO VI



### Standard vehicle plated weights (kg)

GVW	7500
GTW	8250
GTW Optional	11000

### Axle design weights (kg)

Front	3100
Rear	6000

### Weights (kg)

Cab type		day	day	day
Wheelbase	WB	3365	3815	4475
Vehicle Mass Unladen	Front	1690	1720	1790
	Rear	955	955	940
Total		2655	2675	2730
GVW		7500	7500	7500
Max. Permissible Trailer Weight		3500	3500	3500
Body & Payload Allowance		4845	4825	4770

### Dimensions (mm)

Overall Length	OAL	5985	6635	7815
Overhang - Front	FOH	1110	1110	1110
Overhang - Rear	ROH	1510	1710	2230
Cab Gap	CB	170	170	170
C/L Front Axle to Rear of Cab	CA	550	550	550
Recommended Body Length	BL	4267	4876	6096
Chassis Frame Width		850	850	850
Recommended Body Width		2286	2286	2286
Recommended Maximum Body Width		2387 <sup>†</sup>	2387 <sup>†</sup>	2387 <sup>†</sup>
Cab Width	OW	2040	2040	2040
Overall Height (Unladen)	OH	2265	2265	2265
Chassis Height (Unladen)	EH	805	800	780
Minimum Road Clearance	HH	190	190	190
Track - Front	AW	1680	1680	1680
Track - Rear	CW	1650	1650	1650
Rear Axle Width	BW	2129	2129	2129

<sup>†</sup> Wide mirror arms apply at extra cost.

- Unladen weights excludes driver, fuel, AdBlue. Includes spare wheel + carrier (Tolerance  $\pm 3\%$ ).
- Body lengths are given as a guide only. Bodybuilders are responsible for ensuring all legal requirements are met.
- Maximum body lengths are calculated to remain within the maximum permitted overhang of 60% of the wheelbase. Cab gaps may vary.
- Isuzu Ireland shall have no liability whatsoever should the information supplied have incorrect data, descriptions or illustrations.

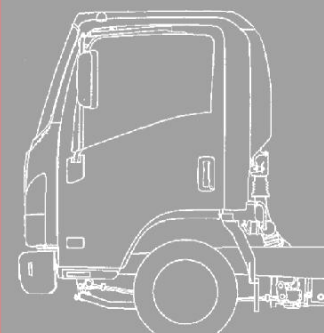
# ISUZU

# ISUZU N75.150 (E)

## 7.5T GVW

(Easyshift transmission) 4x2 rigid

EURO VI



### Mechanical Specification (standard equipment)

#### Engine 4JJ1TC

Isuzu turbo intercooled  
4 cylinder diesel DOHC  
Euro VI

**Bore:** 95.4mm

**Stroke:** 104.9mm

**Capacity:** 2999cc

**Max Power:** 110kW

(150 PS) at 2800rpm

**Max Torque:** 375Nm  
between 1600-2800rpm

**Injection Type:** Common  
rail

**Euro VI Compliance:** EGR-  
(Exhaust Gas Recirculation)  
with DPD (Diesel Particulate  
Diffuser) SCR Adblue and  
OBD

#### Fuel Tank

**Capacity:** 92 litres

**Ad Blue:** 16 litres

#### Transmission

Electro hydraulic  
controlled 6 speed  
synchromesh MYY6S  
with fully automated and  
sequential shift modes

**Ratios:**

1st	5.979
2nd	3.434
3rd	1.862
4th	1.297
5th	1.000
6th	0.759
reverse	5.701

**Rear Axle Ratio:** 5.57:1

**Tyres:** 215/75 R17.5 radial

**Wheels:** 6.00J x 17.5,  
6-stud

#### Cab Exterior

Aerodynamic Isuzu  
Hexapod design with roof outline  
markers  
Manual tilt to 45 deg.  
Chrome radiator grille  
Laminated windscreen  
Plastic resin non-slip entry  
steps  
90 deg. opening doors  
Zinc galvanised frame  
structure  
Steel reinforced composite  
front bumper with fog and  
daytime running lamps  
2 halogen head lamps with  
indicators  
Front mudguards with  
spray suppression  
Keyless door entry and  
immobiliser  
Aluminium rear bumper

#### Frame

Parallel ladder type  
channel section straight  
side rails, rivet less upper  
flange

#### Cooling

**Radiator:** Tube and fin type  
with fan and viscous clutch  
Frame mounted fuel cooler

#### Clutch

Fluid coupling torque  
converter type with  
lock-up clutch

#### Cab Interior

Flame-resistant interior  
trim  
Vinyl floor matting  
Pillar mounted entrance  
grab handles both sides  
SRS airbags driver and  
passenger

#### Seats (all cloth)

Driver's fully adjustable  
suspension seat with head  
restraint (optional on crew  
cab)  
Dual passenger seat,  
folding back centre with  
tray  
Driver and outer  
passenger retractable  
diagonal seat belts, with  
pre-tensioner  
Centre seat lap belt  
4-seat passenger (crew  
cab) with lap belts

#### Vision

Large foldable, heated  
mirrors  
Interior rear view mirror  
on collapsible mounting  
Driver and passenger sun  
visors  
Deep cut side window s to  
reduce blind spots  
Electric windows with  
driver control and lock

#### Heating & Ventilation

4-speed blower  
Multiple cab vents

#### Axles

**Front:** Reverse Elliott

I-Beam

**Rear:** Banjo fully floating

#### Suspension

**Front:** Semi-elliptical alloy  
steel leaf springs with

hydraulic shock absorbers  
and anti-roll bar

**Rear:** Semi-elliptical alloy  
steel leaf springs with  
hydraulic shock absorbers  
and anti-roll bar

#### Steering

Recirculating ball type  
with full integral hydraulic  
power assistance  
Tilt and telescopic steering  
column

#### Brakes

**System:** ABS Power  
assisted divided  
hydraulic, Vacuum Servo  
with electronic brake  
distribution and anti slip  
regulation, Electronic  
Vehicle Stability Control  
**Front:** 310mm ventilated  
discs with asbestos free  
pads  
**Rear:** 310mm ventilated  
discs with asbestos free  
pads  
**Park:** Mechanical drum  
brake rear of transmission

#### Instruments

Speedometer with  
odometer & trip  
Rev counter  
Fuel gauge  
Engine coolant temperature  
Gearshift indicator display  
Multi information display  
provides information on  
servicing, emissions and  
fuel economy  
Digital Tachograph

#### Switches & Electrical

Steering column mounted  
combination switch for  
indicators, head lamps  
(high beam), front and  
rear fog lights  
Wiper and washer (2-speed  
and intermittent)  
Steering wheel horn  
Engine idle control  
Hazard lights  
Head lamp levelling  
Interior light  
Heated mirror  
Key operation for quick  
cold start, start and stop  
Engine quick warm-up  
Cigarette lighter  
Central locking  
Reverse warning  
DPD engage

EV SC off

ASR off

Exhaust brake

Heater stage

Easyshift gearbox

emergency override

Gearbox engage drive fast/  
slow

Electronic vehicle speed

limiter set at 56mph

(90kph)

#### Warning/Indicator Lamps

Battery charge

Oil pressure

Low fuel

Glow plug operation

High beam and indicators

Parking brake on

Fuel/water separator

Check engine

DPD operation

Engine over heat

Adblue level

EV SC

ABS

Front and rear fog

SVS

ECONO mode

1st gear start

Exhaust brake operation

Seat belt

Brake system

SRS air bag

Brake vacuum loss

#### Tool Kit

Jack, with a small  
selection of hand tools

#### Radio

DAB Radio/CD Player  
package

#### Storage Space

Compartment box  
Centre console tray  
Door pockets  
Overhead roof shelf  
Storage bin (behind seats)  
Card holder

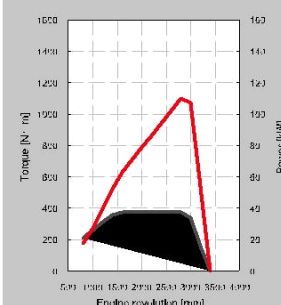
#### Ancillaries

**Starter:** Reduction type  
24V – 4.0kW

**Alternator:** 24V – 80Amp

**Quick Start:** 4 glow plugs  
on start relay

**Battery:** 2 x 12V 75AH  
(maintenance free)



#### The following optional items are available:

- Isuzu Branded Mats
- Aerodynamic Body Kits
- Satellite Navigation
- Reversing Aids
- PTO Switch
- Telematics

For further information  
please contact your local  
dealer, ring us directly on

**(01) 4194500**

or visit our website

[www.isuzu-ireland.com](http://www.isuzu-ireland.com)

**Isuzu Ireland,**  
Naas Road  
Dublin 12,

**ISUZU**

