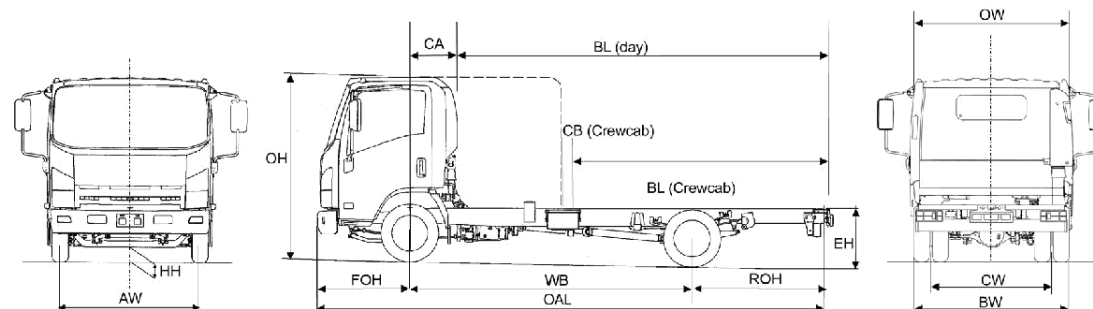
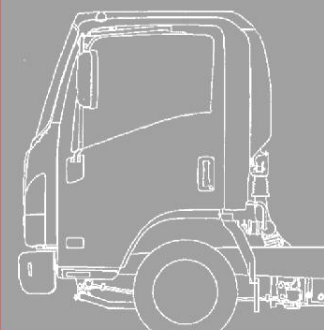


ISUZU N75.190 (E)

7.5T GVW

(Easys shift transmission) 4x2 rigid

EURO VI



Standard vehicle plated weights (kg)

GVW	7500
GTW	8250
GTW Optional	11000

Axle design weights (kg)

Front	3100
Rear	6000

Weights (kg)

Cab type		day	day	day	crewcab
Wheelbase	WB	3365	3815	4475	4475
Vehicle Mass Unladen	Front	1855	1855	1955	2115
	Rear	1010	1000	985	1080
Total		2865	2885	2940	3195
GVW		7500	7500	7500	7500
Max. Permissible Trailer Weight		3500	3500	3500	3500
Body & Payload Allowance		4635	4615	4560	4305

Dimensions (mm)

Overall Length	OAL	5985	6635	7815	7815
Overhang - Front	FOH	1110	1110	1110	1110
Overhang - Rear	ROH	1510	1710	2230	2230
Cab Gap	CB	170	170	170	71
C/L Front Axle to Rear of Cab	CA	550	550	550	1574
Recommended Body Length	BL	4267	4876	6096	5029
Chassis Frame Width		850	850	850	850
Recommended Body Width		2286	2286	2286	2286
Recommended Maximum Body Width		2387 [†]	2387 [†]	2387 [†]	2387 [†]
Cab Width	OW	2040	2040	2040	2040
Overall Height (Unladen)	OH	2265	2265	2265	2260
Chassis Height (Unladen)	EH	805	800	780	780
Minimum Road Clearance	HH	190	190	190	190
Track - Front	AW	1680	1680	1680	1680
Track - Rear	CW	1650	1650	1650	1650
Rear Axle Width	BW	2129	2129	2129	2129

[†] Wide mirror arms apply at extra cost.

1. Unladen weights excludes driver, fuel, Ad Blue. Includes spare wheel + carrier (Tolerance \pm 3%).
2. Body lengths are given as a guide only. Bodybuilders are responsible for ensuring all legal requirements are met.
3. Maximum body lengths are calculated to remain within the maximum permitted overhang of 60% of the wheelbase. Cab gaps may vary.
4. Isuzu Ireland shall have no liability whatsoever should the information supplied have incorrect data, descriptions or illustrations.

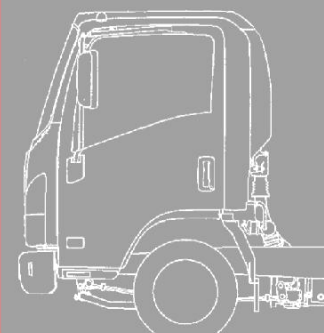
ISUZU

ISUZU N75.190 (E)

7.5T GVW

(Easyshift transmission) 4x2 rigid

EURO VI



Mechanical Specification (standard equipment)

Engine 4HK1TC

Isuzu turbo intercooled
OHC 4 cylinder diesel
(Euro VI)

Bore: 115mm

Stroke: 125mm

Capacity: 5193cc

Max Power: 140kW

(190 PS) at 2600rpm

Max Torque: 510Nm

between 1600-2600rpm

Injection Type: Common
rail

Euro VI Compliance: EGR-
(Exhaust Gas

Recirculation) with

DPD (Diesel Particulate

Diffuser) SCR + Adblue and

OBD

Fuel Tank

Capacity: 92 litres

Ad Blue: 16 litres

Transmission

Electro hydraulic
controlled 6 speed
synchromesh MZZ6F

with fully automated and

sequential shift modes

Ratios:	1st
	6.369:1
	2nd 3.767:1
	3rd 1.966:1
	4th 1.355:1
	5th 1.000:1
	6th 0.782:1
	reverse 6.369:1

Rear Axle Ratio: 4.10:1

Tyres: 215/75 R17.5 radial

Wheels: 6.00J x 17.5,
6-stud

Cab Exterior

Aerodynamic Isuzu

Hexapod design white
all-steel with roof outline
markers

Manual tilt to 45 deg. day

cab semi-fixed crew cab

Chrome radiator grille

Laminated windscreen

Plastic resin non-slip entry
steps

90 deg. opening doors

Zinc galvanised frame

structure

Steel reinforced composite

front bumper with fog and

daytime running lamps

2 halogen head lamps with

indicators

Front mudguards with

spray suppression

Keyless door entry and

immobiliser

Aluminium rear bumper

Frame

Parallel ladder type

channel section straight

side rails, rivet less upper

flange

Cooling

Radiator: Tube and fin type

with fan and viscous clutch

Frame mounted fuel cooler

Clutch

Fluid hydrokinetic coupling

with lock-up clutch

Cab Interior

Flame-resistant interior

trim

Vinyl floor matting

Pillar mounted entrance

grab handles both sides

SRS airbags driver and

passenger

Seats (all cloth)

Driver's fully adjustable

suspension seat with head

restraint (optional on crew

cab)

Dual passenger seat,

folding back centre with

tray

Driver and outer

passenger retractable

diagonal seat belts, with

pre-tensioner

Centre seat lap belt

4-seat passenger (crew

cab) with lap belts

Vision

Large foldable, heated

mirrors

Interior rear view mirror

on collapsible mounting

Driver and passenger sun

visors

Deep cut side windows to

reduce blind spots

Electric windows with

driver control and lock

Heating & Ventilation

4-speed blower

Multiple cab vents

Axles

Front: Reverse Elliott

I-Beam

Rear: Banjo fully floating

Suspension

Front: Semi-elliptical alloy

steel leaf springs with

hydraulic shock absorbers

and anti-roll bar

Rear: Semi-elliptical alloy

steel leaf springs with

hydraulic shock absorbers

and anti-roll bar

Steering

Recirculating ball type

with full integral hydraulic

power assistance

Tilt and telescopic steering

column

Brakes

System: ABS Power

assisted divided

hydraulic, Vacuum Servo

with electronic brake

distribution and anti slip

regulation, Electronic

Vehicle Stability Control

Front: 310mm ventilated

discs with asbestos free

pads

Rear: 310mm ventilated

discs with asbestos free

pads

Park: Mechanical drum

brake rear of transmission

Instruments

Speedometer with

odometer & trip

Rev counter

Fuel gauge

Engine coolant temperature

Gearshift indicator display

Multi information display

provides information on

servicing, emissions and

fuel economy

Digital Tachograph

Switches & Electrical

Steering column mounted

combination switch for

indicators, head lamps

(high beam), front and

rear fog lights

Wiper and washer (2-speed

and intermittent)

Steering wheel horn

Engine idle control

Hazard lights

Head lamp levelling

Interior light

Heated mirror

Key operation for quick

cold start, start and stop

Engine quick warm-up

Cigarette lighter

Central locking

Reverse warning

DPD engage

EV SC off

ASR off

Exhaust brake

Heater stage

Easyshift gearbox

emergency override

Gearbox engage drive fast/

slow

Electronic vehicle speed

limiter set at 56mph

(90kph)

Warning/Indicator Lamps

Battery charge

Oil pressure

Low fuel

Glow plug operation

High beam and indicators

Parking brake on

Fuel/water separator

Check engine

Adblue level

DPD operation

Engine over heat

EV SC

ABS

Front and rear fog

SVS

ECONO mode

1st gear start

Exhaust brake operation

Seat belt

Brake system

SRS air bag

Brake vacuum loss

Tool Kit

Jack, with a small

selection of hand tools

Radio

DAB Radio/CD Player

package

Storage Space

Compartment box

Centre console tray

Door pockets

Overhead roof shelf

Storage bin (behind seats)

Card holder

Ancillaries

Starter: Reduction type

24 V – 4.5kW

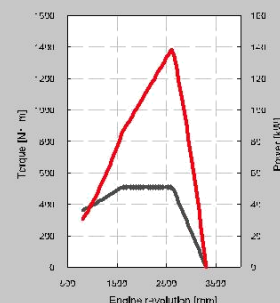
Alternator: 24 V – 80 A mp

Quick Start: 4 glow plugs

on start relay

Battery: 2 x 12 V 115 A H

(maintenance free)



The following optional items are available:

- Isuzu Branded Mats
- Aerodynamic Body Kits
- Satellite Navigation
- Reversing Aids
- PTO Switch
- Telematics

For further information
please contact your local
dealer, ring us directly on

(01) 4194500

or visit our website

www.isuzu-ireland.com

Isuzu Ireland,

Naas Road

Dublin 12

ISUZU

